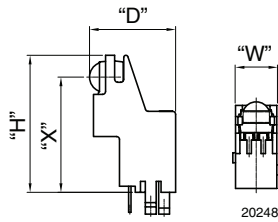
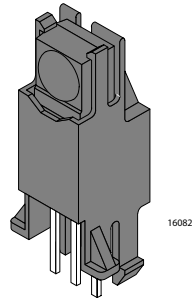


IR Receiver Modules for Remote Control Systems


FEATURES

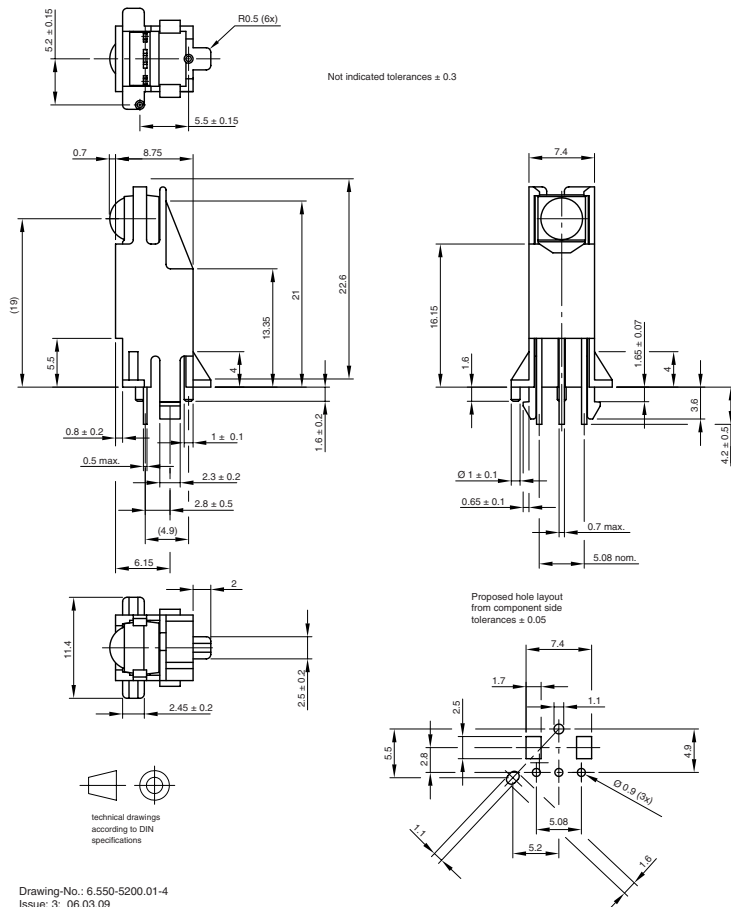
- Compliant to RoHS directive 2002/95/EC and in accordance to WEEE 2002/96/EC


AVAILABLE FOR:

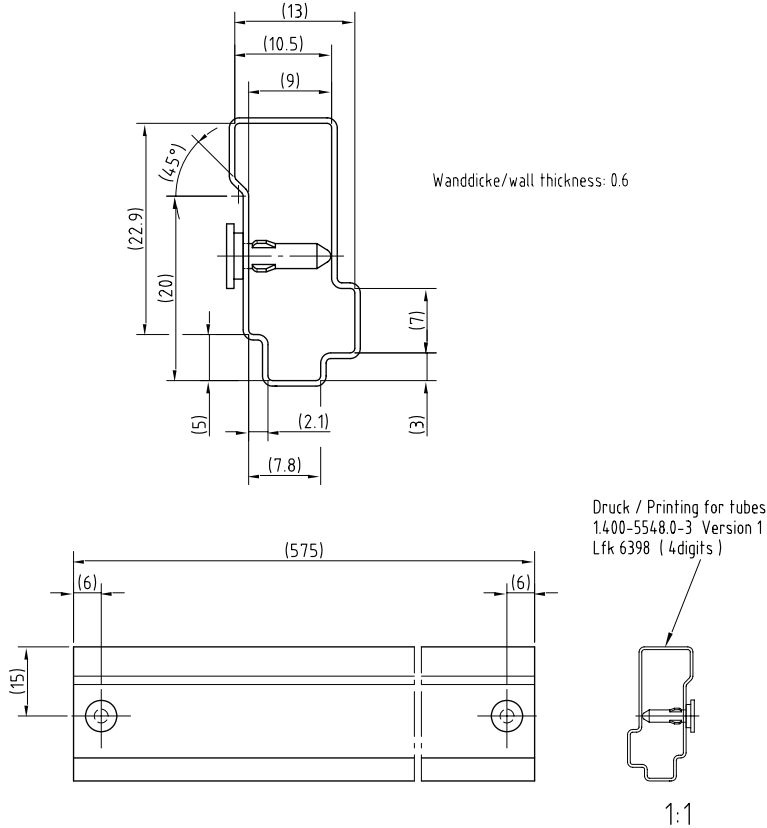
- TSOP34...
- TSOP4....
- TSOP32...
- TSOP2....


RoHS
COMPLIANT

NAME	LENS AXIS (X)	VIEW	TYPE	HEIGHT (H)	WIDTH (W)	DEPTH (D)
XG1	19	Side	Holder	22.6	11.4	11.4

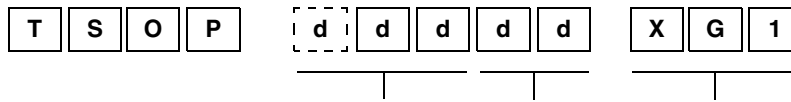
MECHANICAL DIMENSIONS in millimeters

 Drawing-No.: 6.550-5200.01-4
 Issue: 3; 06.03.09
 14273

PACKAGING DIMENSIONS in millimeters



Drawing-No.: 9.700-5207.0-4
 Rev. 10; Date: 20.11.03
 20315-1

ORDERING INFORMATION



2 or 3 digit product series 2 digit frequency Holder type

Note

d = "digit", please consult the list of available series on the previous page to create a valid part number.

Example: TSOP14838XG1

PACKING QUANTITY

- 47 pieces per tube
- 18 tubes per carton